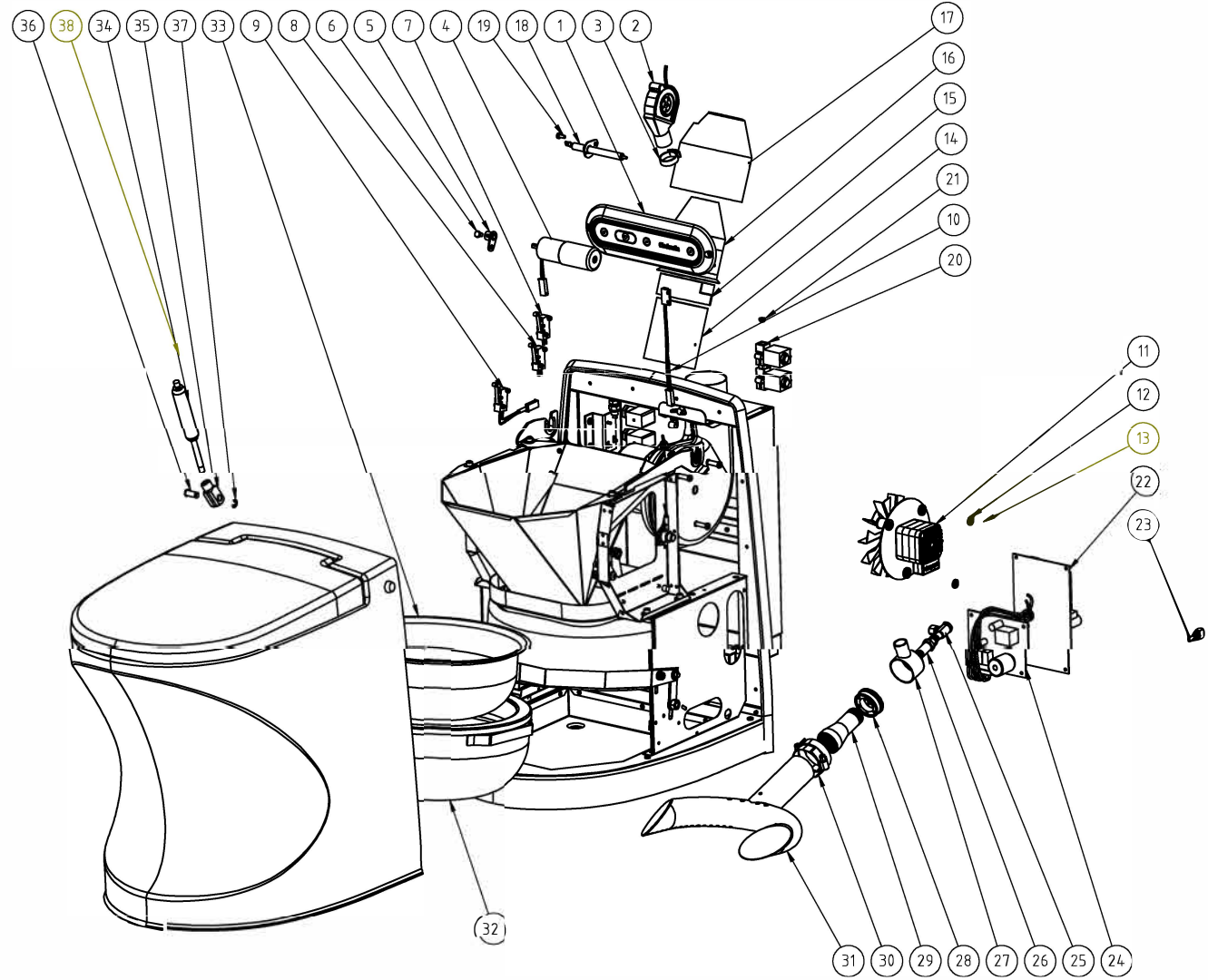


**Cinderella Travel**

Pos. no	Item no	Description	Remarks
1	100912	Control panel Travel	
2	100727	Fan w/ bracket primary air	
3	101026	Hose clamp fan bracket	
4	100760	Hatch motor assembly	
5	100605	Motor arm	
6	101121	Screw ISO 4017 M5x8	
7	101127	Microswitch	
8	100758	Microswitch	
9	100890	Microswitch ash tray	
10	100756	Hall sensor lid	
11	101356	Exhaust Fan Motor Assembly	
12	100147	Washer M6	
13	100309	Screw M4x10 pan head A4 Tx20	
14	100528	Catalytic converter	
15	100163	Insulation blanket catalytic converter	
16	101302	Connector catalytic converter 2019	
17	100744	Insulation connection	
18	100196	Spark plug CG/MG	
19	100309	Screw M4x10 pan head A4 Tx20	
20	100908	Gas valve	
21	100547	Gas filter	
22	100989	Circuit board	
23	101417	Toggle switch	
24	100424	Gas Ignition Control	
25	100525	Brass Banjo bolt 1/8 BSP	
26	100617	Gas nozzle	
27	100649	Primary air cover	
28	100615	Burner end plug	
29	100614	Burner head complete	
30	100523	Hose clamp 32-44	
31	100612	Burner horseshoe	
32	100724	Ash bowl complete Travel	Includes 100572
33	100572	Insert ash bowl	
34	101329	Gas spring	
35	101330	Fork	
36	101328	Gas spring clevis	
37	101335	C-clip	
38	101343	Nut M8	



Pump Technology Ltd. UK Authorised Distributor for Cinderella  
0118 9821 555 [www.cinderellauk.com](http://www.cinderellauk.com)

Rev	Changed date	Ch. by	Approved date	Approved by	Change description

Material		Replacement for	
Created by	Date of issue	Status	Tolerance
HN	2019.03.13	Draft	
Appr. by	Mass [g]	Sheet size	Projection
24.204	24204.3	A2	1:1
Title		Sheet	Item No
Cinderella Travel 2019		5/5	01   101301
Drawing number		CE-0460-MA	