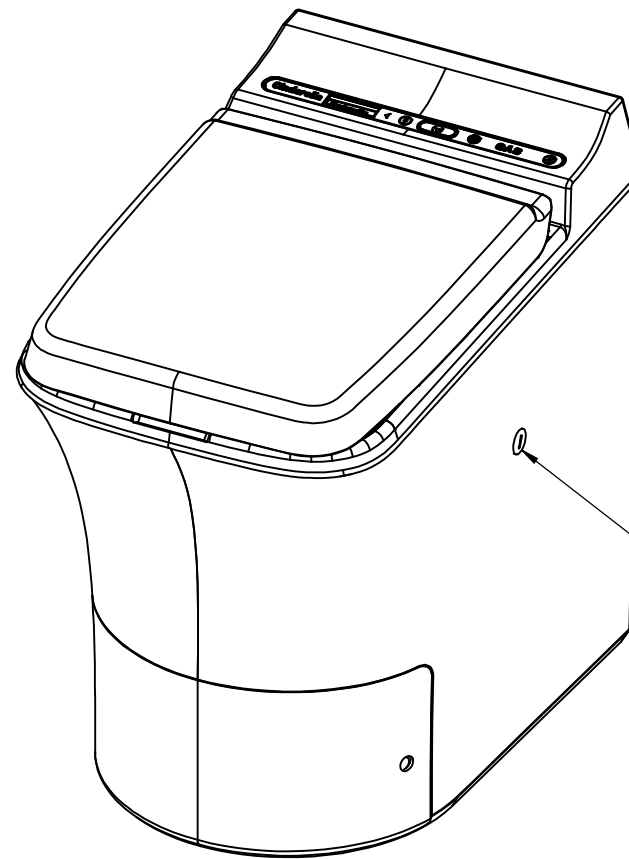


Insert

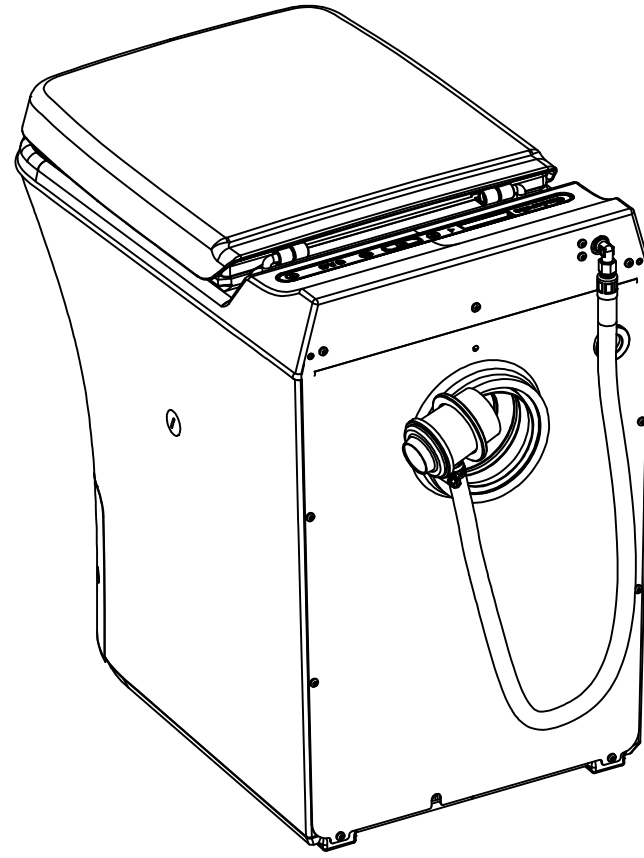
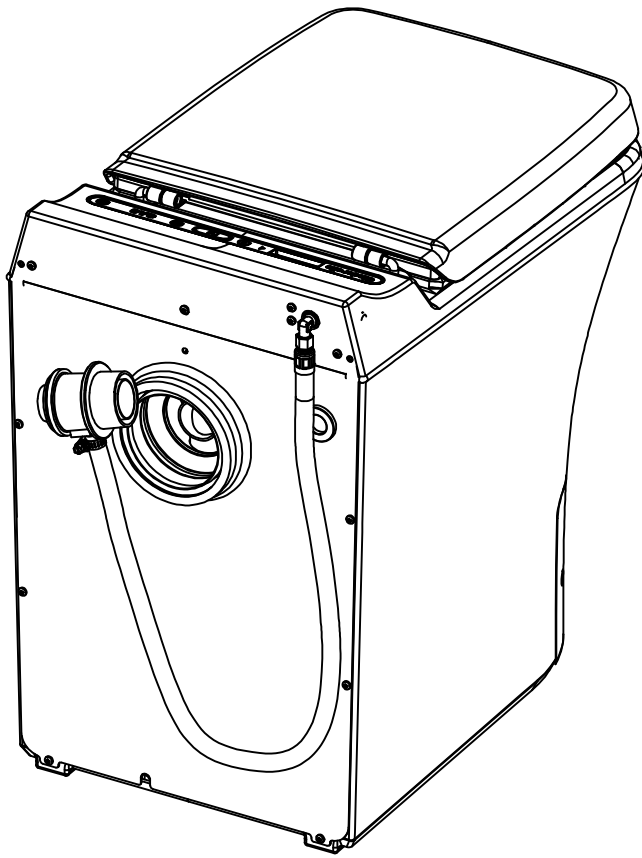
Ash container



Cover for ash container

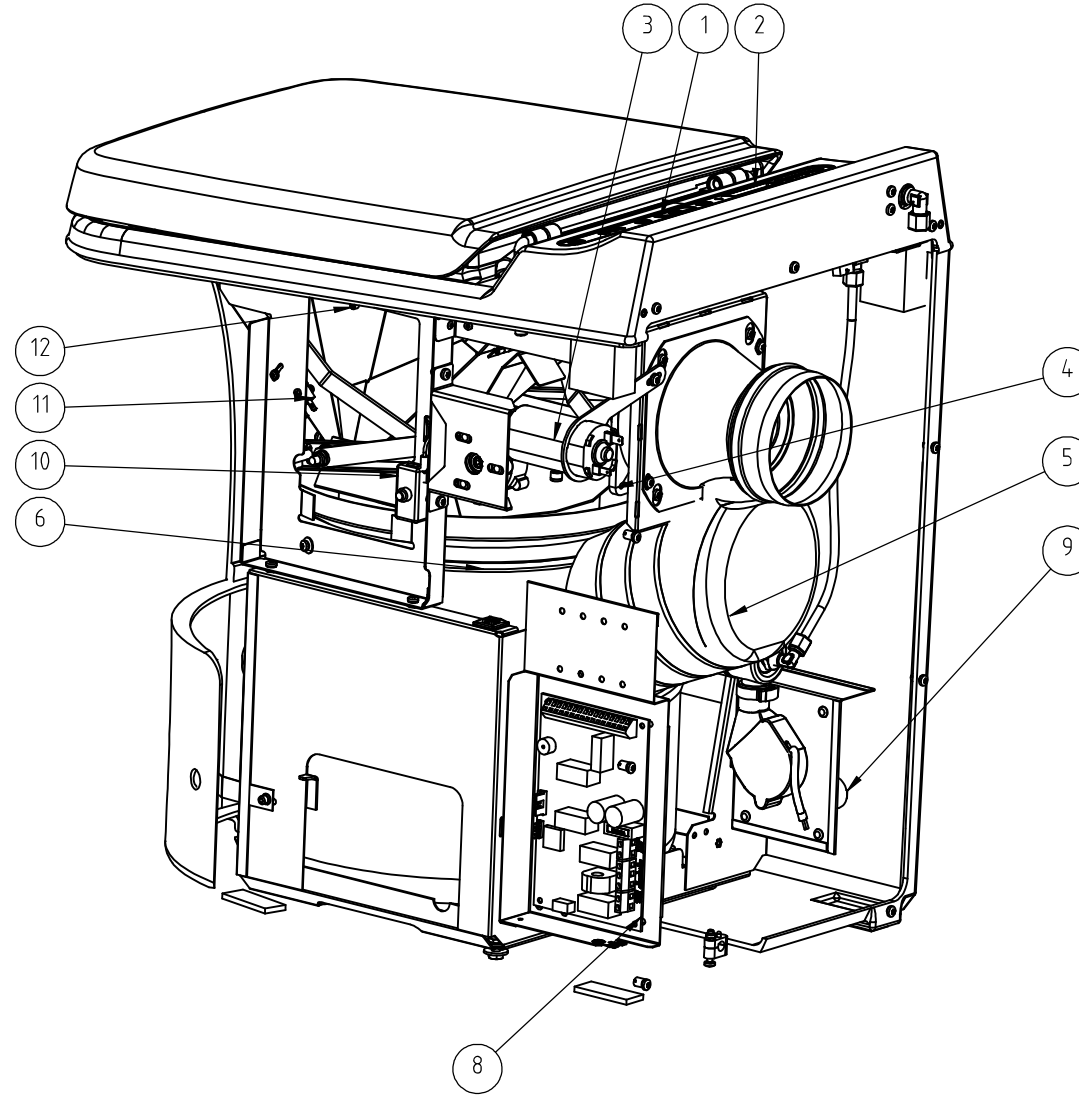


Remove plug for access to temperature guard reset

Rev.	Changed date	Ch. by	Approved date	Approved by	Change description
Material					Replacement for
Created by	Date of issue	Status	Tolerance		
OS	2019.06.19	Draft			
Appr. by	Mass Ig	Sheet size	Projection	Scale	
	33101	A3		1:5	
Title					Sheet
Cinderella Gas					3/6
					Rev
					0.1
					Item No
					101344
					Drawing number
					CE-0434-MA



Rev.	Changed date	Ch. by	Approved date	Approved by	Change description
Material					Replacement for
Created by	Date of issue	Status	Tolerance		
OS	2019.06.19	Draft			
Appr. by	Mass Igl	Sheet size	Projection	Scale	
	33101	A3		1:5	
Title					Sheet
Cinderella Gas					4/6
					Rev
					0.1
					Item No
					101344
					Drawing number
					CE-0434-MA



Pos no	Description	Item no
1	Control Panel	100981
2	Display	100401
3	Exhaust fan	100154
4	Hatch motor assembly	101315
5	Catalytic converter housing	101284
6	Heater element	100726
7	Thermocouple	100831
8	Circuit board	100989
9	Circuit board gas controller	100424
10	Thermic fuse	100117
11	Limit switch	100800
12	Limit switch	100857

Rev.	Changed date	Ch. by	Approved date	Approved by	Change description
Material					Replacement for
Created by	Date of issue	Status	Tolerance		
OS	2019.06.19	Draft			
Appr. by	Mass Igl	Sheet size	Projection	Scale	
	28321	A3		1:4	
Title					Sheet
Cinderella Gas					6/6
					Rev
					0.1
					Item No
					101344
					Drawing number
					CE-0434-MA